



Provincial Department Of Education – Sabaragamuwa
WEEKLY SCHOOL

Subject : Science

Grade 7

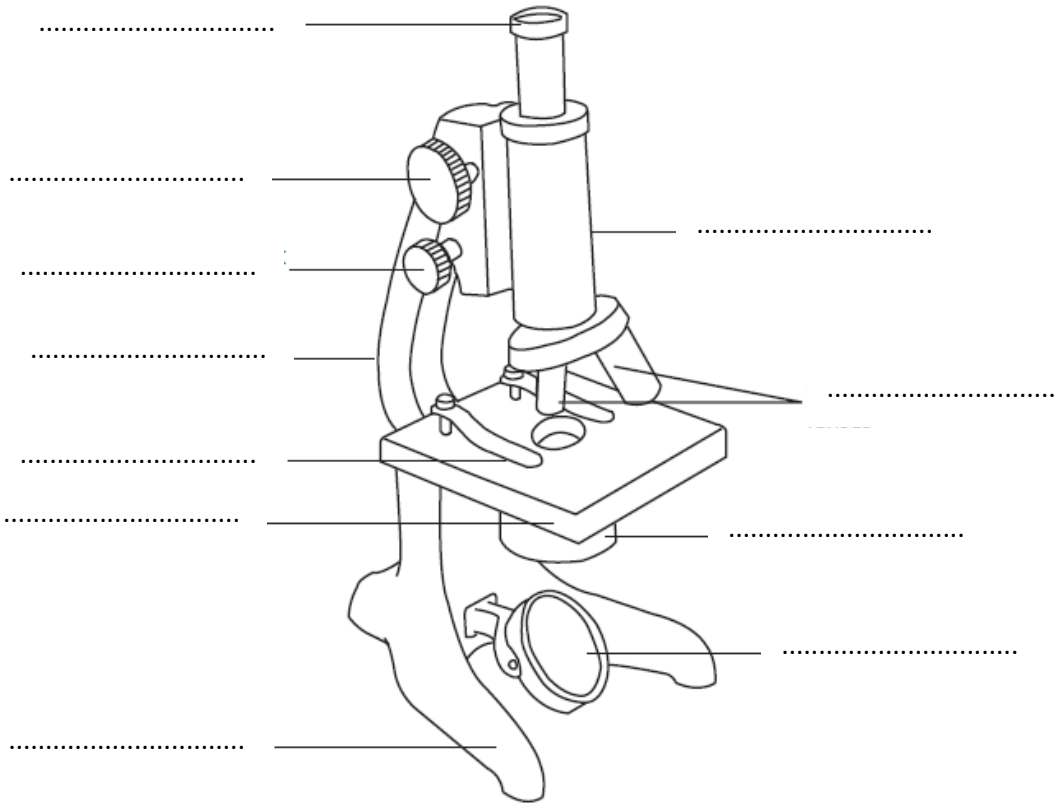
Week : 12th of 2nd Term

Unit 10 – The Correct use of the Microscope(2)

- ✓ Complete the following activities using the textbook or other appropriate learning resources.

Compound light microscope

- Name the parts in the picture of the microscope



- Describe the function of each part of the Microscope.

- Eye piece
- Objective lense
- Coarse adjustment knob
- Fine adjustment knob

