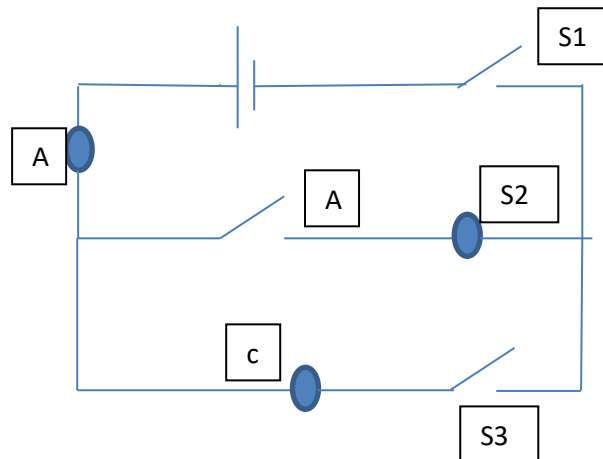




1.



- 1.How the batteries are connected in this curcuit diagram ?
- 2.How the A and B bulbs are connected?
- 3.How the **B** and C bulbs are connected?
- 4.Which switches should be closed to light the A and B bulbs?
- 5.Which switches should be closed to light the A and c bulbs?
- 6.Which bulbs are lighten when closeonly the S2 and S3 switches?
- 7.What can you say about the brightness of the A,B.C bulbs when all the switches are closed?